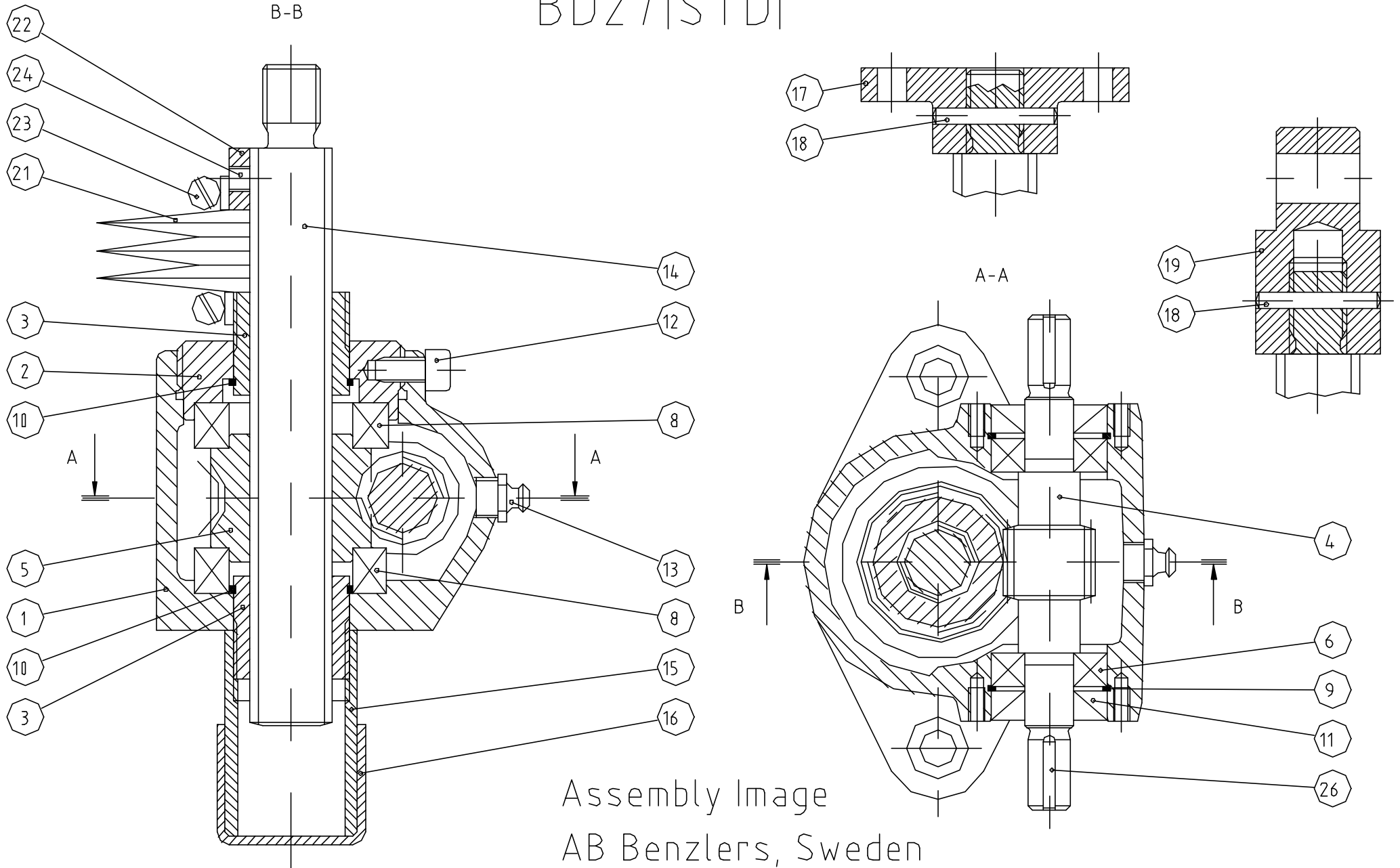


SPARE PARTS LIST BD27-66 (ABL) ERSATZTEILLISTE BD27-66 (ABL) LISTE DE PIÈCES DÉTACHÉES BD27-66 (ABL)

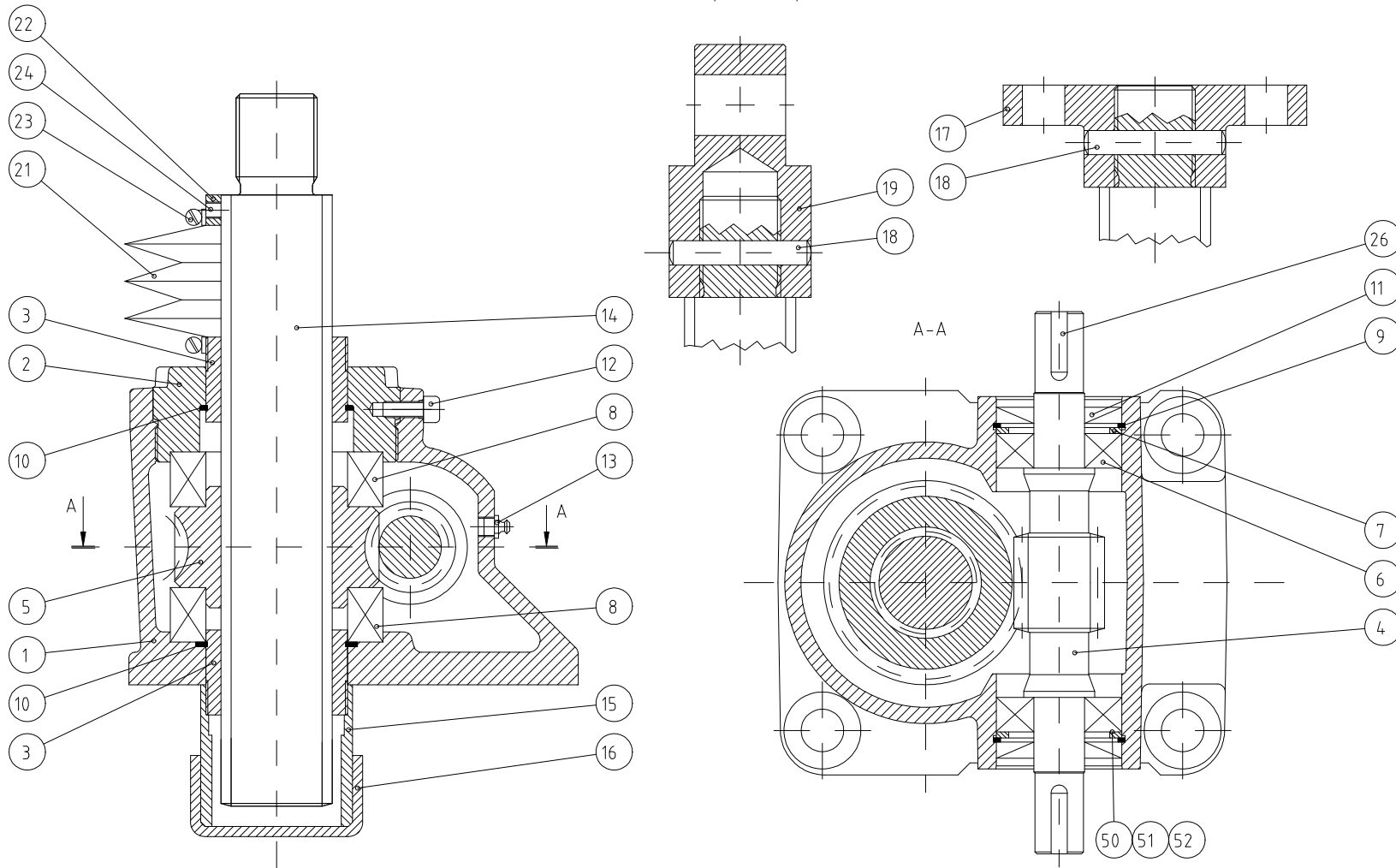
| Part No Teil Nr Pos | Number Anzahl Quantité | Description | Beschreibung | Description | BD27 ABL | BD40 ABL | BD58 ABL | BD66 ABL |
|---------------------------|------------------------------|--------------------|-------------------|-----------------------|-----------|------------|------------|------------|
| 1 | 1 | Housing | Gehäuse | Carter | A44383-1 | A41932-1 | A41502-1 | A41822-1 |
| 2 | 1 | Cover | Deckel | Couvercle | A37243-1 | A36533-1 | A36893-1 | A37013-1 |
| 3 | 2 | Bushing | Buchse | Bague | A44124-1 | A44124-2 | A44124-3 | A44124-4 |
| 4 | 1 | Worm-L | Schneckenwelle-L | Vis sans fin-L | A45893-1 | A61153-1 | A61373-1 | A44063-1 |
| 4 | 1 | Worm-H | Schneckenwelle-H | Vis sans fin-H | A45903-1 | A61203-1 | A44073-1 | A44083-1 |
| 5 | 1 | Worm wheel-L | Schneckenrad-L | Roue creuse-L | A37293-M1 | A36503-M1 | A36913-M1 | A37003-M1 |
| 5 | 1 | Worm wheel-H | Schneckenrad-H | Roue creuse-H | A37293-M2 | A36503-M2 | A36913-M2 | A37003-M2 |
| 5 | 1 | Worm 2 st | Schneckenrad 2 gä | Roue creuse 2 fi | B04923-M1 | B00633-M1 | B66303-M1 | B66473-M1 |
| 6 | 2 | Bearing | Lager | Roulement | 961339 | 953876 | 961354 | 961385 |
| 7 | 2 | Support ring | Auflagering | Porte-bague | - | - | - | 963487 |
| 8 | 1(2) | Bearing | Lager | Roulement | 953994 | 961448 (2) | 961450 (2) | 961453 (2) |
| 8 | 1 | Bearing | Lager | Roulement | 961445 | - | - | - |
| 9 | 2(4) | Circlip | Seegerring | Circlips | 964108 | 961840 | 961842 (4) | 961842 (4) |
| 10 | 2 | Circlip | Seegerring | Circlips | 964541 | 964542 | 964534 | 964543 |
| 11 | 2 | Seal ring | Dichtungsring | Bague d'étanchéité | 964140 | 967136 | 962101 | 964547 |
| 12 | 1 | Screw | Schraube | Vis | 973805 | 964645 | 964533 | 964646 |
| 13 | 1 | Grease fitting | Schmiernippel | Grassieur | 940132 | 940132 | 940132 | 940132 |
| 14 | 1 | Lifting screw 1 st | Spindel 1 gä | Vis de levage 1 fi | A37553 | A37573 | A37593 | A37613 |
| 14 | 1 | Lifting screw 2 st | Spindel 2 gä | Vis de levage 2 fi | B04983 | B64403 | B66333 | B66433 |
| 15 | 1 | Protection tube | Schutzrohr | Tube de protection | A44854-M1 | A44864-M1 | A44874-M1 | A44884-M1 |
| 16 | 1 | Protective plug | Schutzdeckel | Bouchon de protection | 964587 | 964588 | 962630 | 964589 |
| 17 | 1 | Top plate | Kopfplatte | Plateau | A44954-1 | A44974-1 | 46093-1 | 46100-1 |
| 18 | 1 | Pin | Stift | Goupille | 961879 | 961886 | 961700 | 962501 |
| 19 | 1 | Lifting eye | Hebeöse | Anneau de levage | A44944-1 | A44964-1 | 46095-1 | 46104-1 |
| 21 | 1 | Bellow | Faltenbalg | Soufflet | 46331-A | 46332-A | 46333-A | 36334-A |
| 22 | 1 | Bellow fixing | Balgbefestigung | Fixation du soufflet | A45944-1 | A45064-1 | 46355-A | 46356-C |
| 23 | 2 | Clamp | Klemme | Collier de serrage | 962467 | 971576 | 962468 | 962468 |
| 24 | 1 | Screw | Schraube | Vis | 962258 | 962258 | 962258 | 962260 |
| 26 | 2 | Key | Passfeder | Clavette | 962243 | 963811 | 963530 | 961630 |
| 51 | 1 | Shim | Zwischenlage | Cale de réglage | - | - | - | 962435 |
| 80 | 1 | Washer | Teller | Plateau | 1 | - | - | - |

BD27|STD|

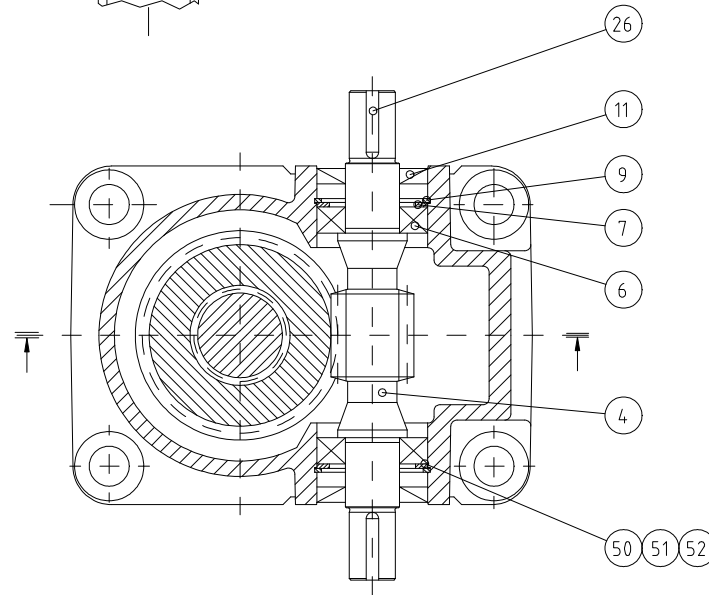
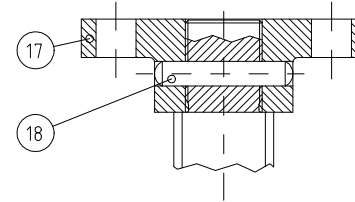
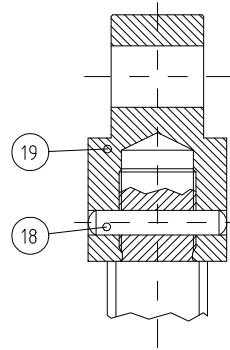
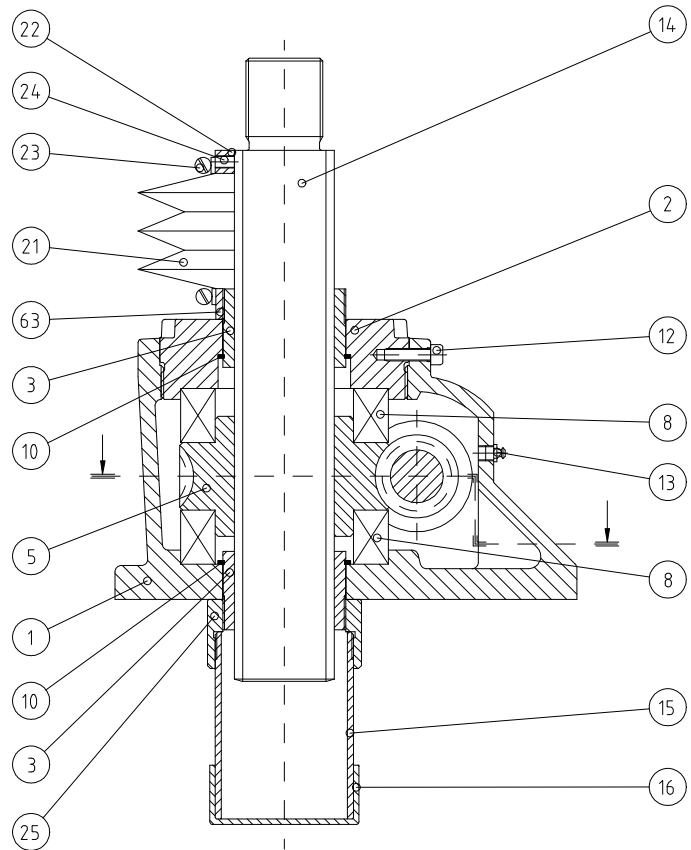


Assembly Image
AB Benzlers, Sweden

BD66(STD)

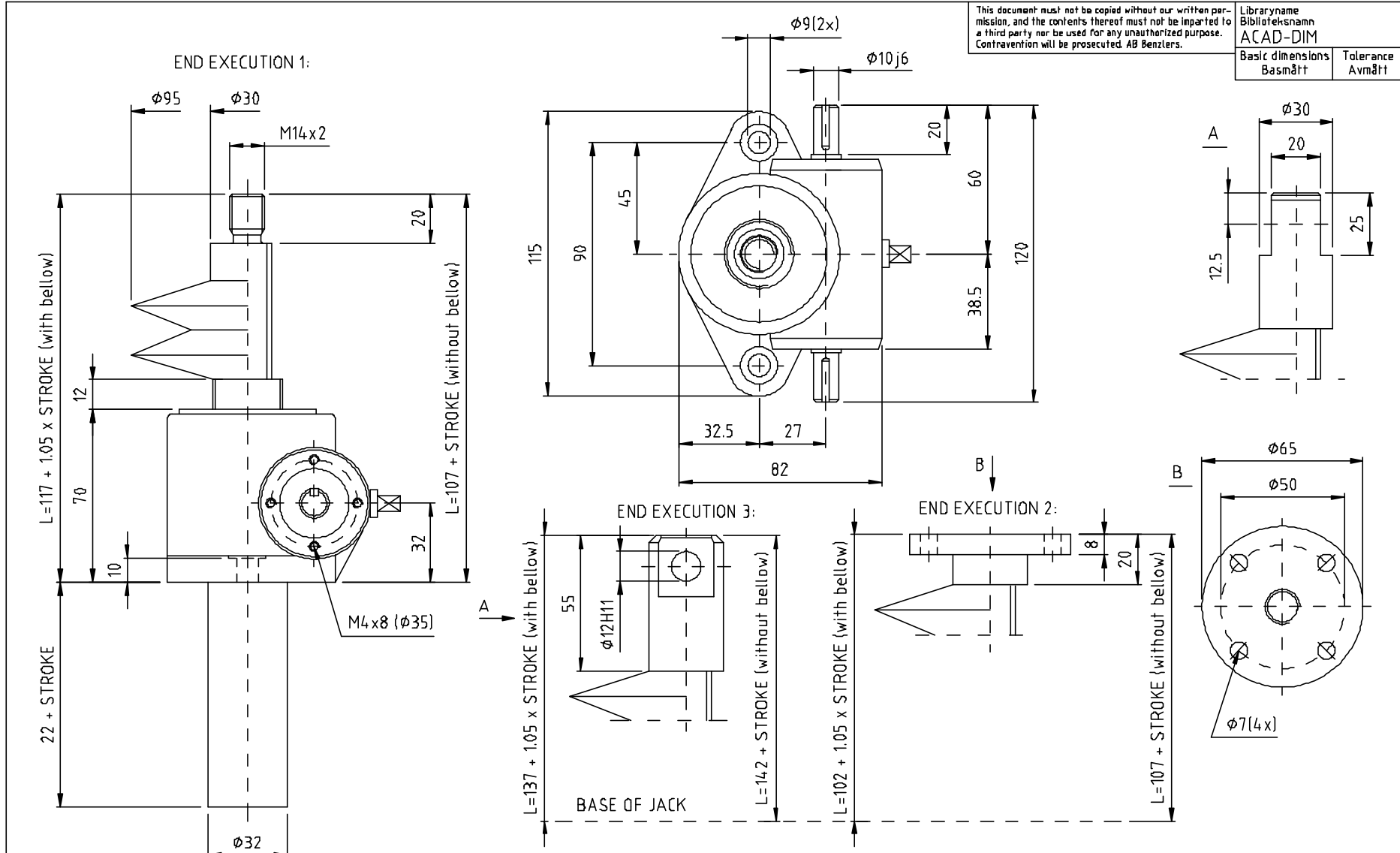


BD86(STD)



This document must not be copied without our written permission, and the contents thereof must not be imparted to a third party nor be used for any unauthorized purpose. Contravention will be prosecuted. AB Benzlers.

| | |
|--|---------------------|
| Librärnamn Biblioteksnamn ACAD-DIM | |
| Basic dimensions Basmått | Tolerance Avmått |



| | | | | | |
|---|---------------------|---|-----------|---|-----------------------|
| No. Nr | Revision Ändring | T=Added/Tillkommer U=Deleted/Utgår | V=Was/Var | Appd. Godkänd | Year/week År/vecka |
| Copy to/ Kopia till BT BD/BS BG ASD CI UDB EXPORT REGION | | | | | |
| AUTOCAD CAD-ritning Manuell ändring ej tillåten | | Castings/utgångs General tolerances ISO 8062-CT9 Generella toleranser enligt ISO 8062-CT9 | | Machined/berädat General tolerances ISO 2768-m Generella toleranser enligt ISO 2768-m | |

✓ Except where otherwise stated
Där ej annat anges

| | | |
|---|--|---|
| Valid construction SMS 723-B Svelsd konstruktion SMS 723-B | Roughness Re my Ytjämnhet Re i my | E |
|---|--|---|

| | | | | |
|---|-----------------------|---------------------|---------------------------|---------------------------------------|
| Item Det. | Description | Dimensions | Article No. | Material type |
| Variant Qty Variant Antal | Year/week År/vecka | Drawn by Konstr. | Design chd Konstr. gr. | Prod chd Prod gr. |
| 9631 | JEP | JAS | B87993 | Material |
| Description Beskrivning DIMENSION DRAWING BD27(STD) Name of item Benämning DIM | | | Product Produkt BD27 | Scale 1:1,5 Rev ind Revision |

SPARE PARTS LIST BD27-200 (STD)

LISTA DE PECAS SOBRESELENTES
BD 27-200(STD)

LISTA DE REPUESTOS BD27-200 (STD)

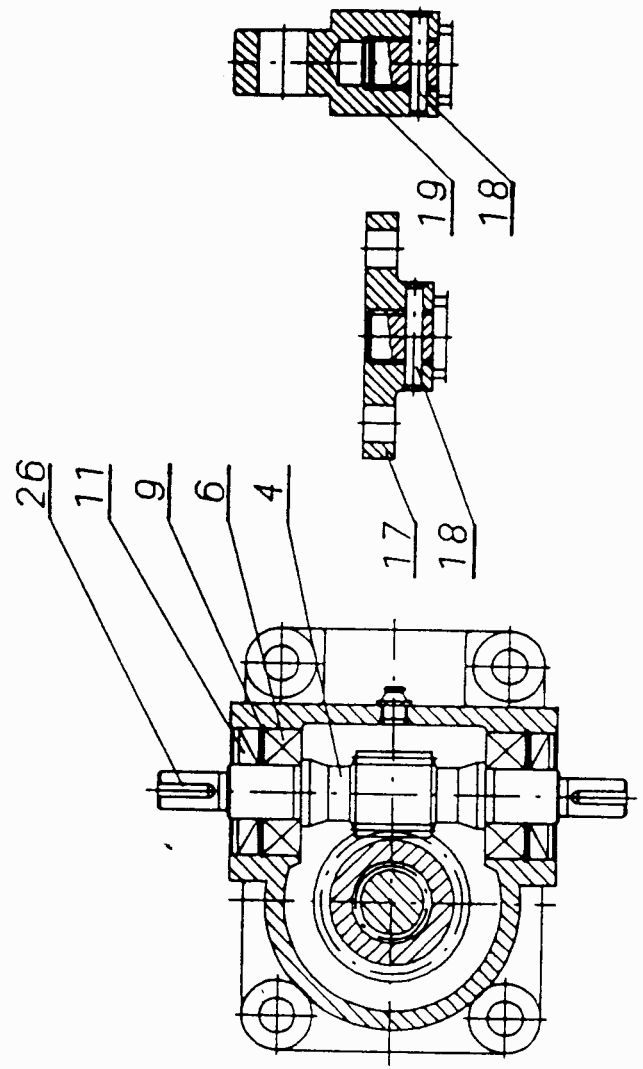
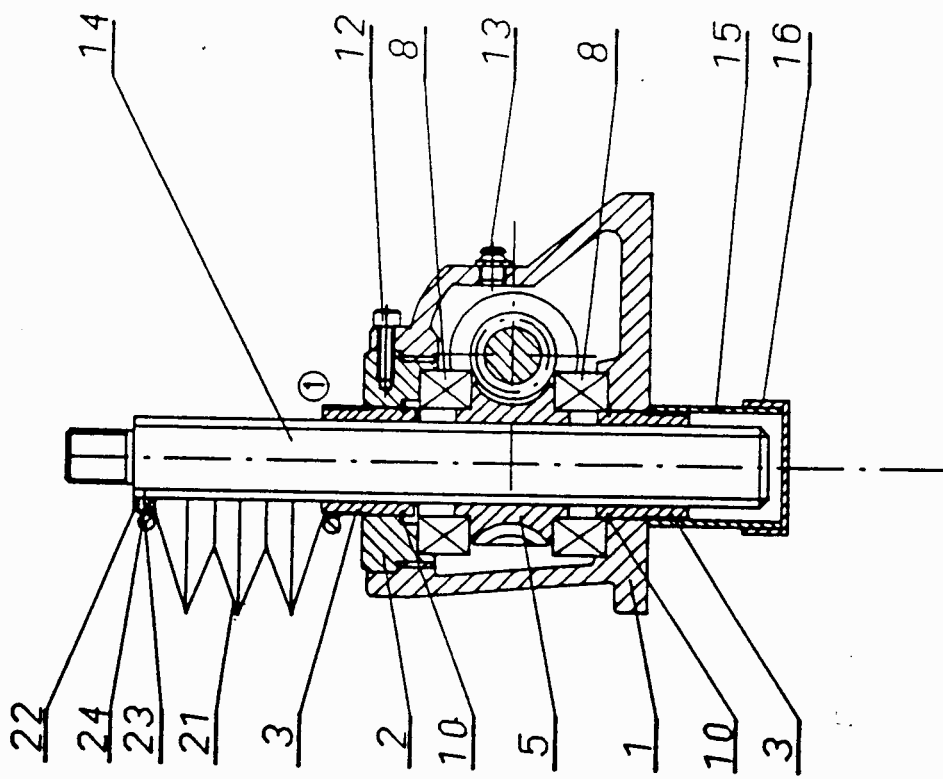
| Part No Peca N° Par. Nr | Number Quant. Numero | Description | Descricao | Descripción | BD27 | BD40 | BD58 | BD66 | BD86 | BD100 | BD125 | BD200 |
|-------------------------------|----------------------------|--------------------|----------------------------|-------------------------|-----------|-----------|------------|------------|------------|------------|----------|------------|
| 1 | 1 | Housing | Alojamento | Cuerpo | A44383-1 | A41932-1 | A41502-1 | A41822-1 | A42441-1 | A42551-1 | A43872-1 | A84491-1 |
| 2 | 1 | Cover | Tampa | Tapa | A44404-1 | A43073-1 | A42563-1 | A43003-1 | A43193-1 | A43422-1 | A43893-1 | A84512-1 |
| 3 | 2 | Bushing | Bucha | Buje | A44124-1 | A44124-2 | A44124-3 | A44124-4 | A44124-5 | A44124-6 | A44124-7 | A33173-1 |
| 4 | 1 | Worm-L | Sem-fim-L | Tornillo sin fin-L | A45893-1 | A61153-1 | A61373-1 | A44063-1 | A45763-1 | A45802-1 | 22601-4 | 22671-3 |
| 4 | 1 | Worm-H | Sem-fim-H | Tornillo sin fin-H | A45903-1 | A61203-1 | A44073-1 | A44083-1 | A45773-1 | A45812-1 | 22601-1 | 22671-1 |
| 5 | 1 | Worm wheel-L | Engrenagem helicoidal-L | Engranaje helicoidal-L | A45923-1 | A43983-1 | A43993-1 | A44003-1 | A45783-1 | A45823-1 | A47663-1 | A33102-1 |
| 5 | 1 | Worm wheel-H | Engrenagem helicoidal-H | Engranaje helicoidal-H | A45933-1 | A44013-1 | A44023-1 | A44033-1 | A45793-1 | A45833-1 | A47673-1 | A96912-1 |
| 5 | 1 | Worm wheel 2 st | Engrenagem helicoidal-2pcs | Engranaje helicoidal 2 | A68283-1 | A64143-1 | A56663-1 | A81843-1 | A45783-2 | A95623-1 | B66653-1 | - |
| 6 | 2 | Bearing | Rolamento | Cojinete | 961339 | 953876 | 961354 | 961385 | 962717 | 964807 | 953983 | 961433 |
| 7 | 2 | Support ring | Anel de suporte | Aro de apoyo | - | - | - | 963487 | 964806 | 964805 | - | - |
| 8 | 2 | Bearing | Rolamento | Cojinete | 953994 | 961448 | 961450 | 961453 | 961454 | 961455 | 961456 | 964508 |
| 9 | 2(4) | Circlip | Anel de retencao | Circlip | 964108 | 961840 | 961842 (4) | 961842 (4) | 961844 (4) | 961845 (4) | - | - |
| 10 | 2 | Circlip | Anel de retencao | Circlip | 964541 | 964542 | 964534 | 964543 | 964544 | 964545 | 964546 | 964671 |
| 11 | 2 | Seal ring | Anel de vedacao | Tapa de junta | 964140 | 967136 | 962101 | 964547 | 964353 | 962104 | 962509 | 962236 |
| 12 | 1 | Screw | Parafuso | Tornillo | 964552 | 964533 | 964533 | 964553 | 964554 | 964555 | 964555 | 964555 |
| 13 | 1(3) | Grease fitting | Copo de lubrificacao | Engrasador | 940132 | 940132 | 940132 | 940132 | 940132 | 940132 | 940132 | 961975 (3) |
| 14 | 1 | Lifting screw 1 st | Parafuso de elevacao 1 pc | Tornillo de izada 1 ent | A45613 | A45623 | A45633 | A45643 | A45653 | A45663 | A45673 | B57042 |
| 14 | 1 | Lifting screw 2 st | Parafuso de elevacao 2 pcs | Tornillo de izada 2 ent | A83833 | A64123 | A57523 | A81823 | B10543 | A95613 | A82843 | - |
| 15 | 1 | Protection tube | Tubo de proteccao | Tubo protector | A44854-M1 | A44864-M1 | A44874-M1 | A44884-M1 | 33575-B | 34250-B | 36399-B | A84323-M1 |
| 16 | 1 | Protective plug | Bujao de proteccao | Caperuza | 964587 | 964588 | 962630 | 964589 | 962632 | 962633 | 962634 | - |
| 17 | 1 | Top plate | Placa de topo | Placa de tope | A44954-1 | A44974-1 | 46093-1 | 46100-1 | 46109-1 | 36348-1 | 36349-1 | B57063 |
| 18 | 1 | Pin | Pino | Perno | 961879 | 961886 | 961700 | 962501 | 961898 | - | - | - |
| 19 | 1 | Lifting eye | Olhal de elevacao | Cáncamo | A44944-1 | A44964-1 | 46095-1 | 46104-1 | 36113-1 | 36350-1 | 36351-1 | B57073 |
| 20 | 2(4) | Screw | Parafuso | Tornillo | - | - | - | - | - | 962269 | 962270 | 964753 (4) |
| 21 | 1 | Bellow | Fole | Fuelle | 46331-A | 46332-A | 46333-A | 36334-A | 36335-A | 36336-A | 36337-A | A43663-M1 |
| 22 | 1 | Bellow fixing | Fixacao do fole | Sujeciôn del fuelle | A45944-1 | A45064-1 | 46355-A | 46356-C | 46357-A | 46358-1 | 46359-1 | B17444-1 |
| 23 | 2 | Clamp | Grampo | Abrazadera | 962467 | 971576 | 962468 | 962468 | 962469 | 962470 | 962472 | 967520 |
| 24 | 1 | Screw | Parafuso | Tornillo | 962258 | 962258 | 962258 | 962260 | 962260 | 962260 | 962260 | 962264 |
| 25 | 1 | Tube sleeve | Camisa tubular | Manguito de tubo | - | - | - | - | A47764-1 | A47774-1 | A47784-1 | - |
| 26 | 2 | Key | Chaveta | Cuña | 962243 | 963811 | 963530 | 961630 | 952121 | 962250 | 962113 | 961637 |
| 27 | 2 | Bearing cover | Tampa de rolamento | Cubierta de cojinete | - | - | - | - | - | - | 32522-1 | A66393-1 |

SPARE PARTS LIST BD27-66 (SM) LISTA DE PECAS SOBRESELENTES BD27-66 (SM)

LISTA DE REPUESTOS BD27-66 (SM)

| Part No Peca N° Par. Nr | Number Quant. Numero | Description | Descricao | Descrição | BD27 SM | BD40 SM | BD58 SM | BD66 SM |
|-------------------------------|----------------------------|--------------------|--------------------------------|----------------------------|-----------|-----------|------------|------------|
| 1 | 1 | Housing | Alojamento | Cuerpo | A44383-1 | A41932-1 | A41502-1 | A41822-1 |
| 2 | 1 | Cover | Tampa | Tapa | A44404-1 | A43073-1 | A42563-1 | A43003-1 |
| 3 | 2 | Bushing | Bucha | Buje | A44124-1 | A44124-2 | A44124-3 | A44124-4 |
| 4 | 1 | Worm-L | Sem-fim-L | Tornillo sin fin-L | A45893-1 | A61153-1 | A61373-1 | A44063-1 |
| 4 | 1 | Worm-H | Sem-fim-H | Tornillo sin fin-H | A45903-1 | A61203-1 | A44073-1 | A44083-1 |
| 5 | 1 | Worm wheel-L | Engrenagem helicoidal-L | Engranaje helicoidal-L | A45923-1 | A43983-1 | A43993-1 | A44003-1 |
| 5 | 1 | Worm wheel-H | Engrenagem helicoidal-H | Engranaje helicoidal-H | A45933-1 | A44013-1 | A44023-1 | A44033-1 |
| 5 | 1 | Worm wheel 2 st | Engrenagem helicoidal 2 pcs | Engranaje helicoidal 2 ent | A68283-1 | A64143-1 | A56663-1 | A81843-1 |
| 6 | 2 | Bearing | Rolamento | Cojinete | 961339 | 953876 | 961354 | 961385 |
| 7 | 2 | Support ring | Anel de suporte | Aro de apoyo | - | - | - | 963487 |
| 8 | 2 | Bearing | Rolamento | Cojinete | 953994 | 961448 | 961450 | 961453 |
| 9 | 2(4) | Circlip | Anel de retencao | Circlip | 964108 | 961840 | 961842 (4) | 961842 (4) |
| 10 | 2 | Circlip | Anel de retencao | Circlip | 964541 | 964542 | 964534 | 964543 |
| 11 | 2 | Seal ring | Anel de vedacao | Tapa de junta | 964140 | 967136 | 962101 | 964547 |
| 12 | 1 | Screw | Parafuso | Tornillo | 964552 | 964533 | 964533 | 964553 |
| 13 | 1 | Grease fitting | Copo de lubrificacao | Engrasador | 940132 | 940132 | 940132 | 940132 |
| 14 | 1 | Lifting screw 1 st | Parafuso de elevacao 1 pc | Tornillo de izada 1 ent | A33383 | A33393 | A33403 | A33413 |
| 14 | 1 | Lifting screw 2 st | Parafuso de elevacao 2 pcs | Tornillo de izada 2 ent | B64293 | B64383 | B66313 | B66403 |
| 15 | 1 | Protection tube | Tubo de proteccao | Tubo protector | A33424-M1 | A33434-M1 | A33444-M1 | A33454-M1 |
| 16 | 1 | Protective plug | Bujao de proteccao | Caperuza | 964588 | 962630 | 964589 | 962632 |
| 17 | 1 | Top plate | Placa do topo | Placa de tope | A44954-1 | A44974-1 | 46093-1 | 46100-1 |
| 18 | 1 | Pin | Pino | Perno | 961879 | 961886 | 961700 | 962501 |
| 19 | 1 | Lifting eye | Olhal de elevacao | Cáncamo | A44944-1 | A44964-1 | 46095-1 | 46104-1 |
| 21 | 1 | Bellow | Fole | Fuelle | 46331-A | 46332-A | 46333-A | 36334-A |
| 22 | 1 | Bellow fixing | Fixacao do fole | Sujeciôn del fuelle | A45944-1 | A45064-1 | 46355-A | 46356-C |
| 23 | 2 | Clamp | Grampo | Abrazadera | 962467 | 971576 | 962468 | 962468 |
| 24 | 1 | Screw | Parafuso | Tornillo | 962258 | 962258 | 962258 | 962260 |
| 26 | 2 | Key | Chaveta | Cuña | 962243 | 963811 | 963530 | 961630 |
| 29 | 1 | Tube sleeve | Camisa tubular | Manguito de tubo | A33753-1 | A33753-2 | A33753-3 | A33764-1 |
| 30 | 1 | Stop nut 1 st | Porca de seguranca 1 pc | Tuerca de seguridad 1 ent | A33773-1 | A33773-2 | A33773-3 | A33773-4 |

| | | | | | | | | |
|----|---|---------------|-----------------------------|---------------------------|----------|----------|----------|----------|
| 30 | 1 | Stop nut 2 st | Porca de seguranca 2 pcs | Tuerca de seguridad 2 ent | A82944-1 | B64424-1 | B19724-1 | B05074-1 |
| 31 | 2 | Screw | Parafuso | Tornillo | 961001 | 961001 | 961007 | 961011 |
| 51 | 1 | Shim | Calco | Nivelador | - | - | - | 962435 |



SMST BD40/BD58